



SANICOMPACT® PRO
SILENCE ECO+ code: C11



SANICOMPACT® ELITE
SILENCE ECO+ code: C6



SANICOMPACT® LUXE
SILENCE ECO+ code: C3



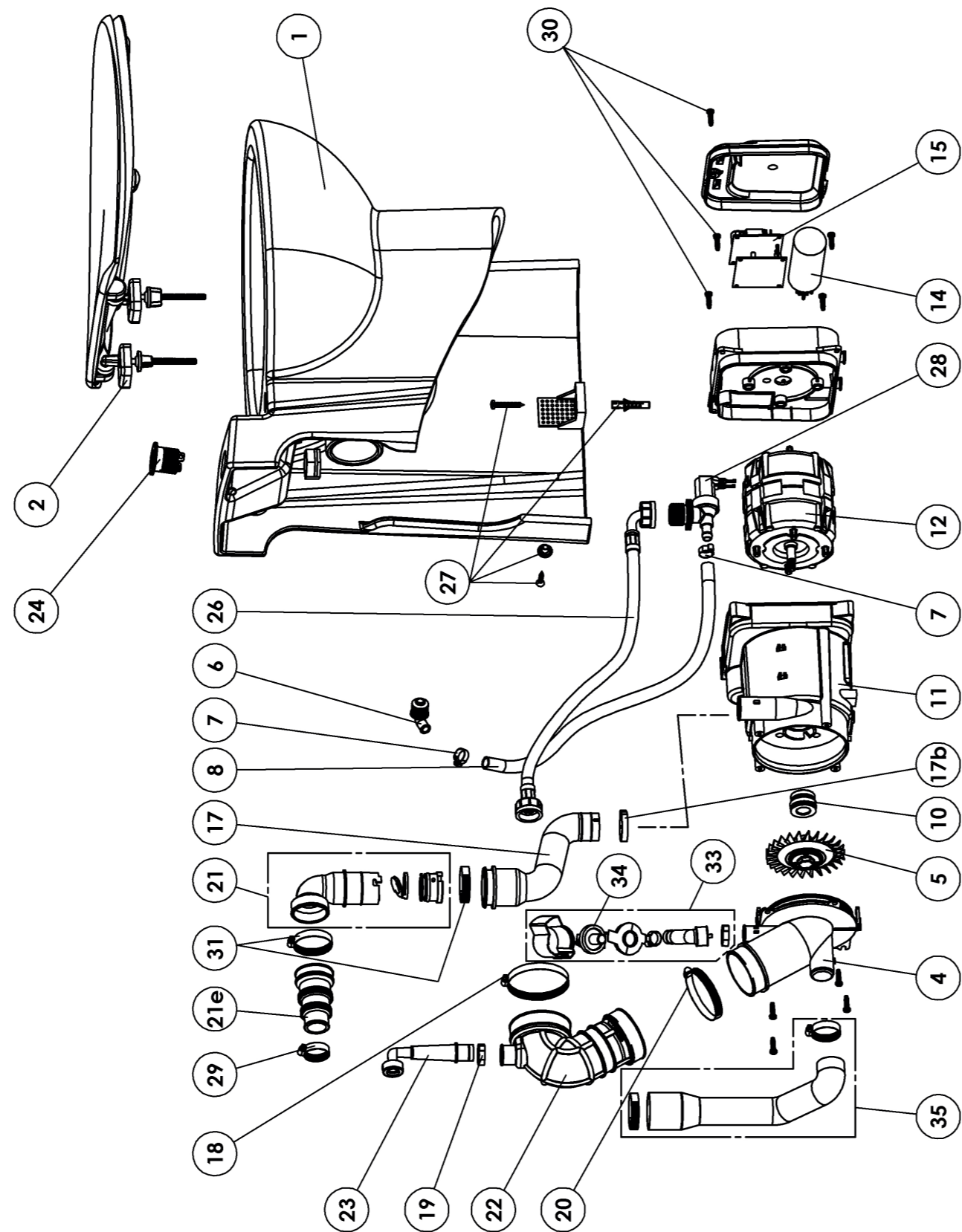
SANICOMPACT 43®
SILENCE ECO+ code: C43



SANICOMPACT® 48
SILENCE ECO+ code: C48



SANICOMPACT® C4
SILENCE ECO+ code: C4



FRANCE
SOCIÉTÉ FRANÇAISE
D'ASSAINISSEMENT
41 bis avenue Bosquet - 75007 Paris
Tél. +33 1 44 82 39 00
Fax +33 1 44 82 39 01

UNITED KINGDOM
SANIFLO Ltd.,
Howard House, The Runway
South Ruislip Middx.,
HA4 6 SE
Tel. +44 208 842 0033
Fax +44 208 842 1671

IRELAND
SANIRISH Ltd
IDA Industrial Estate
Edenderry - County Offaly
Tel. + 353 46 9733 102
Fax + 353 46 97 33 093

AUSTRALIA
SANIFLO (Australasia) Pty Ltd
Unit 9/10, 25 Gibbes Street
Chatswood NSW 2067
Tel. +61 298 826 200
Fax +61 298 826 950

DEUTSCHLAND
SFA SANIBROY GmbH
Waldstr. 23 Geb. B5 - 63128
Dietzenbach
Tel. (060 74) 30928-0
Fax (060 74) 30928-90

ITALIA
SFA ITALIA spa
Via del Benessere, 9
27010 Sizzano (PV)
Tel. 03 82 61 81
Fax 03 82 61 8200

ESPAÑA
SFA S.L.
C/ Vinyalets, 1 - Pl. Can Vinyalets
08130 Sta. - Perpètua de Mogoda -
Barcelona
Tel. +34 93 544 60 76
Fax +34 93 462 18 96

PORTUGAL
SFA, Lda.
Sintra Business Park, ed.01-
1*P2710-089 SINTRA
Tel. +35 21 911 27 85
Fax +35 21 957 70 00

РОССИЯ
SFA РОССИЯ
101000 Москва - Колпачный переулок 9а
Тел. (495) 258 29 51
Факс. (495) 258 29 51

SUISSE SCHWEIZ SVIZZERA
SFA SANIBROY AG
Vorstadt 4
3380 Wangen a. A.
Tel. + 41 (0)32 631 04 74
Fax + 41 (0)32 631 04 75

BENELUX
SFA BENELUX B.V.
Voltaweg 4
6101 XK Echt (NL)
Tel. +31 475 487100
Fax +31 475 486515

SVERIGE
SANIFLO AB
BOX 797
S-191 27 Sollentuna
Tel. +46 (0)8-404 15 30
info@saniflo.se

POLSKA
SFA POLAND Sp. z o.o.
ul. Białolecka 168
03-253 Warszawa
Tel. (+4822) 732 00 32
Fax (+4822) 751 35 16

ČESKÁ REPUBLIKA
SFA-SANIBROY, spol. s r.o.
Na Košince č.ev. 681- 180 00 PRAHA8 -
Libeň
Tel. +420 266 712 855
Fax, +420 266 712 856

ROMANIA
SFA SANIFLO S.R.L.
Strada Leonard Nicolae, nr.2A
Timișoara 300454
Tel. +40 256 245 092
Fax +40 256 245 029

TÜRKIYE
SFA SANIHYDRO LTD STI
Mecidiye Cad No:36-B Sevencan APT
34394 MECIDIYEKÖY - İSTANBUL
Tel. +90 212 275 30 88
Fax. +90 212 275 90 58

CHINA
SFA 中国
上海市静安区石门二路333弄3号振安
广场恒安大厦27C (200041)
Tel. +86(0)21 6218 8969
Fax. +86(0)21 6218 8970

KOREA
www.SFA.biz
sales@saniflo-korea.kr

South Africa
SFA Africa
www.saniflo.co.za

BRASIL
SFA Brasil Equipamentos Sanitários,
Rua Maria Figueiredo 595
CEP 04002-003 SAO PAULO / SP
Tel. (11) 3052-2292

SERVICE HELPLINES

	TEL	FAX		
France	01 44 82 25 55	03 44 94 46 19	Benelux	+31 475 487100
United Kingdom	08457 650011 (Call from a land line)	020 8842 1671	Sverige	+46 (0)8-404 15 30
Ireland	1850 23 24 25 (LOW CALL)	+ 353 46 97 33093	Norge	+46 (0)8-404 15 30
Australia	+1300 554 779	+61 2 9882 6950	Polska	(+4822) 732 00 33
Deutschland	0800 82 27 82 0	(060 74) 30928-90	Polska	(495) 258 29 51
Italia	0382 6181	+39 0382 618200	Česká Republika	+420 266 712 855
España	+34 93 544 60 76	+34 93 462 18 96	Romania	+40 256 245 092
Portugal	+35 21 911 27 85	+35 21 957 70 00	Türkiye	+90 212 275 30 88
Suisse Schweiz Svizzera	+41 (0)32 631 04 74	+41 (0)32 631 04 75	中国	+86(0)21 6218 8969
			Brazil	(11) 3052-2292

Service information : www.sfa.biz

COMPACT SILENCE ECO+
111 11.15

SFA



SANICOMPACT® Silence ECO+

- FR NOTICE D'INSTALLATION
- SE INSTALLATIONSANVISNING
- RO MANUAL DE INSTALARE
- UK INSTALLATION INSTRUCTIONS
- DK INSTALLATIONSVEJLEDNING
- CZ NÁVOD K INSTALACI A POUŽÍVÁNÍ
- DE INSTALLATIONSHINWEISE
- NO INSTALLASJONSANVISNING
- TR KURULUM KILAVUZU
- IT STRUZIONI PER L'INSTALLAZIONE
- FI ASENNUSOHJEET
- EL ΟΔΗΓΙΕΣ ΕΓΚΑΤΑΣΤΑΣΗΣ
- ES MANUAL DE INSTALACIÓN
- HU FELSZERELÉSI ÉS KEZELÉSI ÚTMUTATÓ
- CN 用户应保留安装指南以备
- PT MANUAL DE INSTALAÇÃO
- PL INSTRUKCJA INSTALACJI
- KR 설치내용서
- NL INSTALLATIE VOORSCHRIFTEN
- RU ИНСТРУКЦИЯ ПО МОНТАЖУ И ЭКСПЛУАТАЦИИ
- HR UPUTA ZA INSTALACIJU
-
- AR بيانات التثبيت



