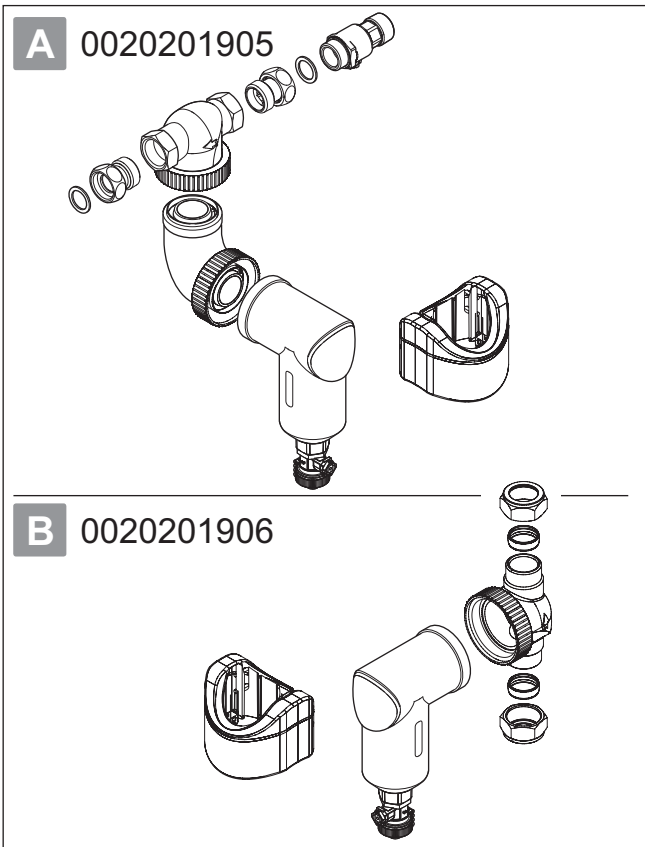
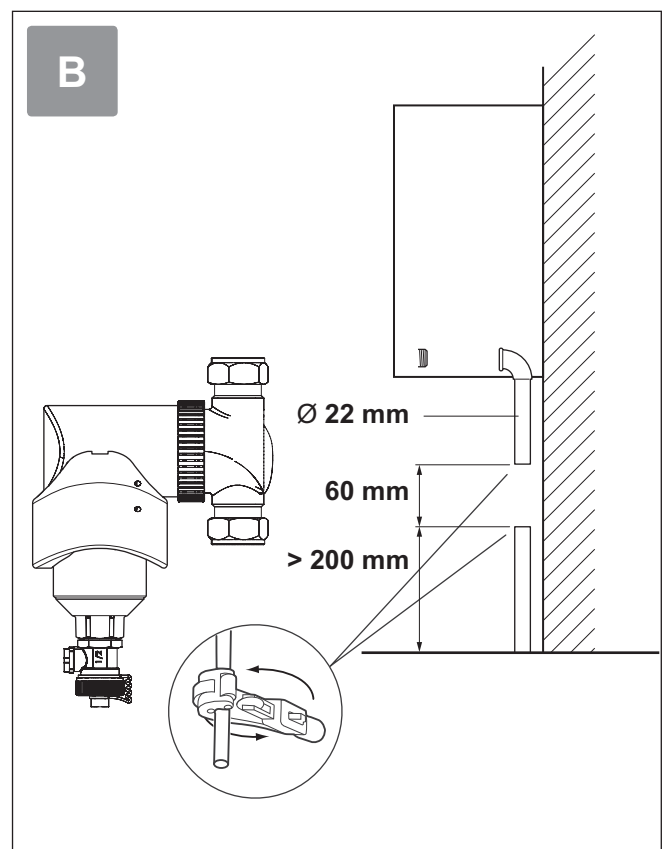
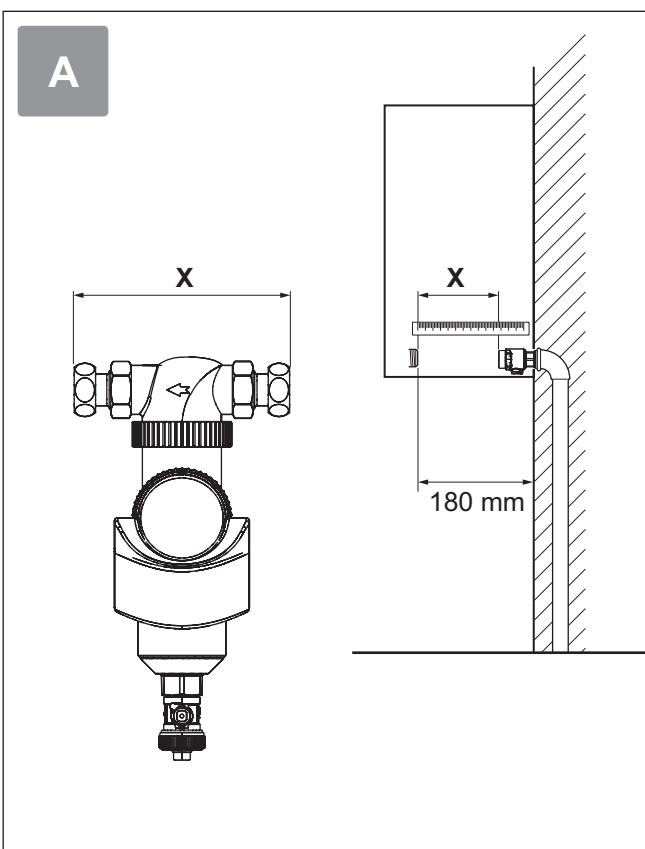
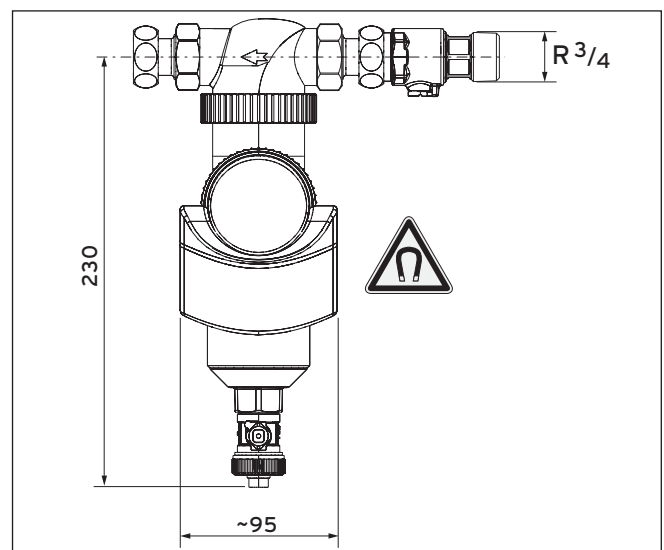
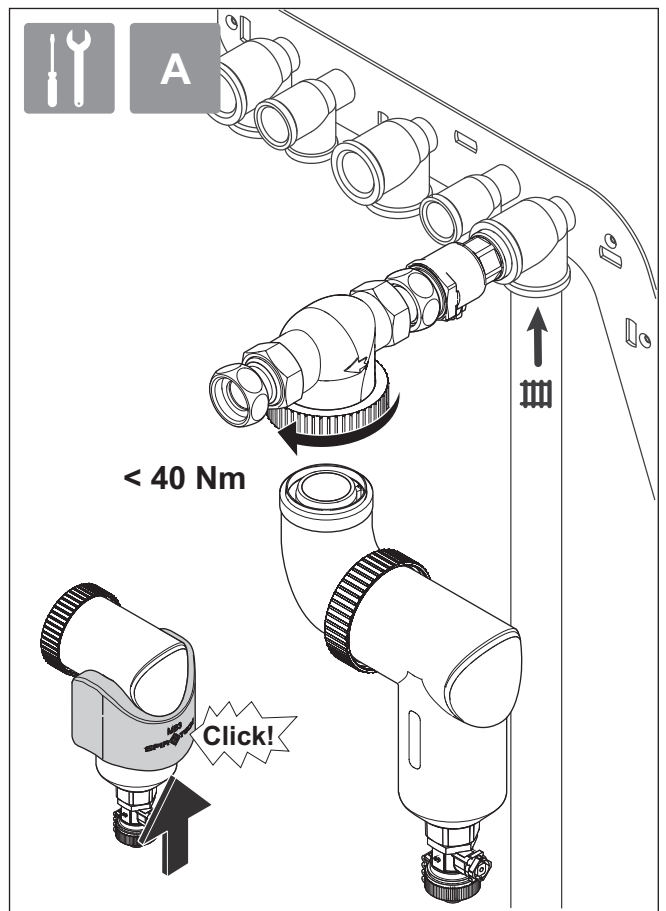
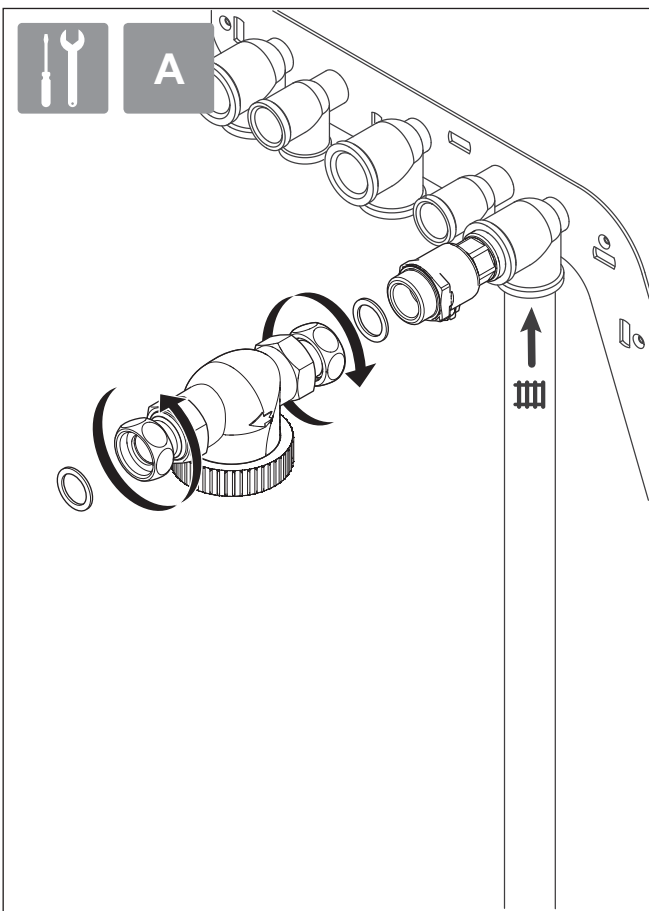
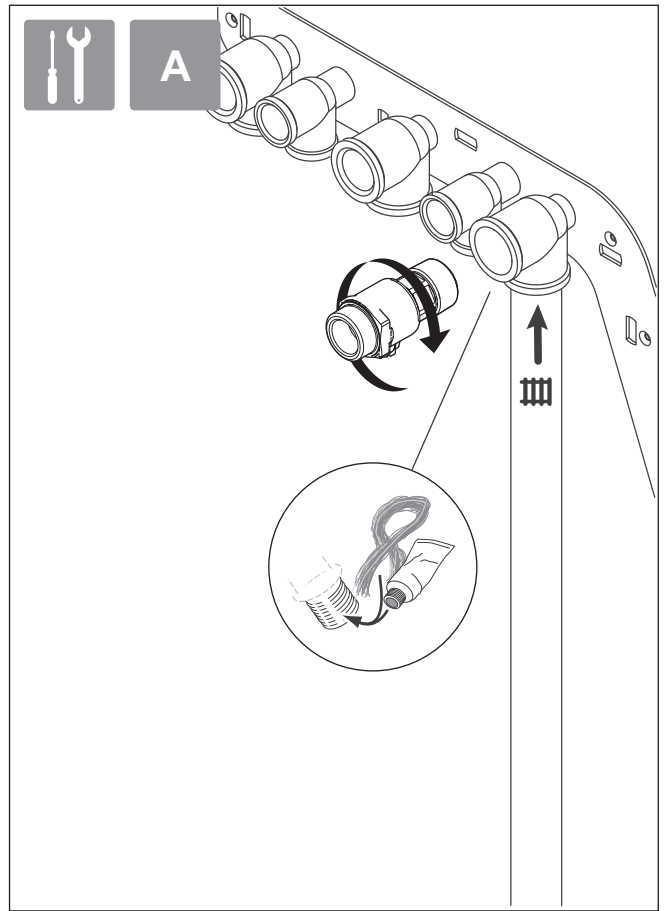
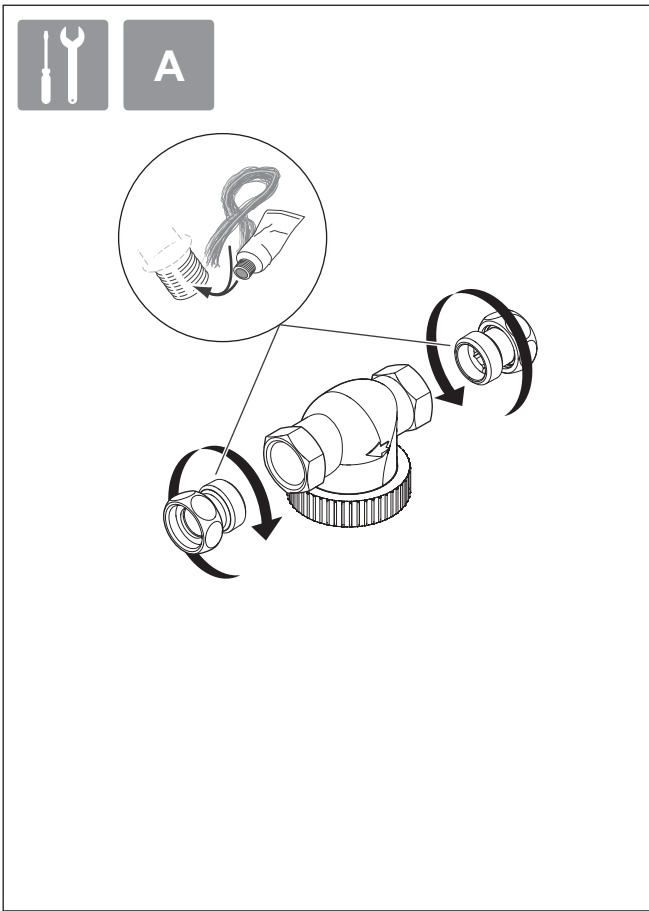


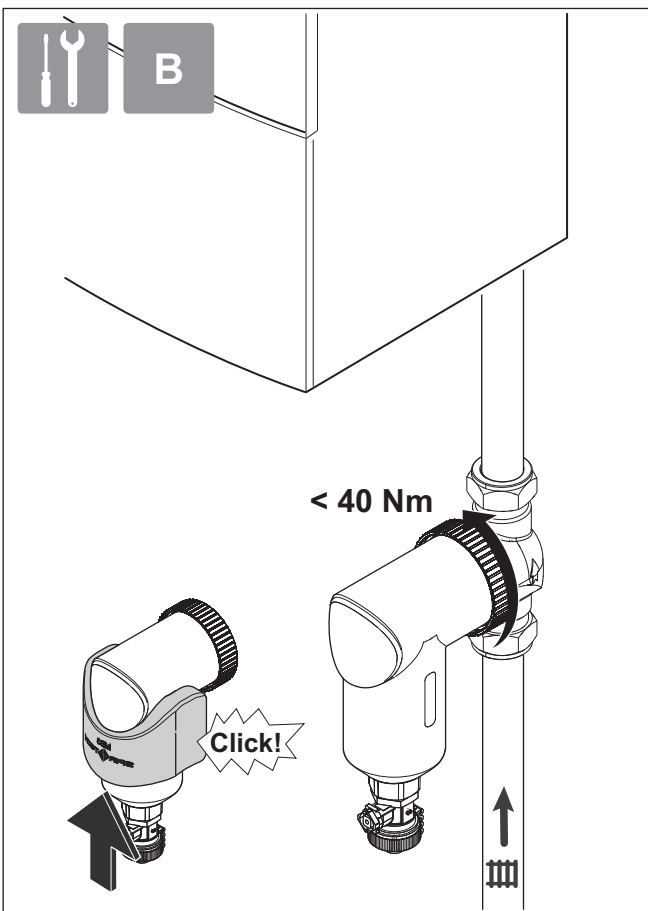
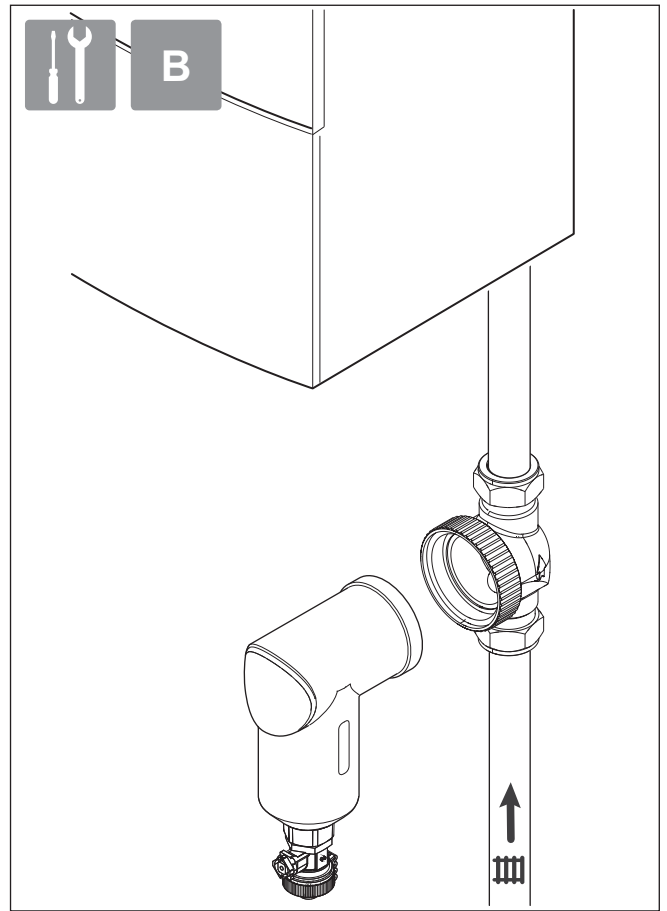
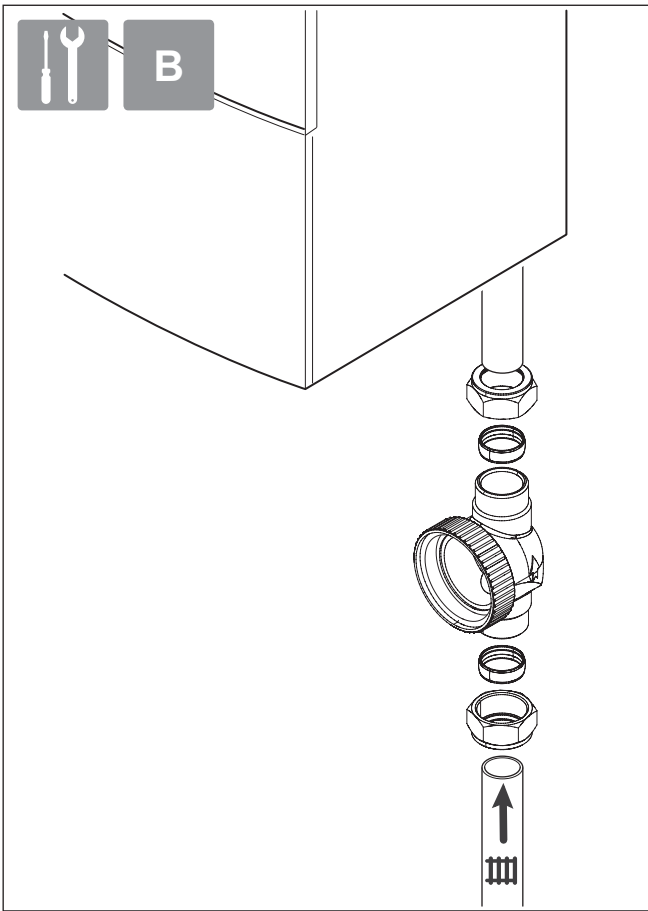
Art. No. 0020201905, 0020201906

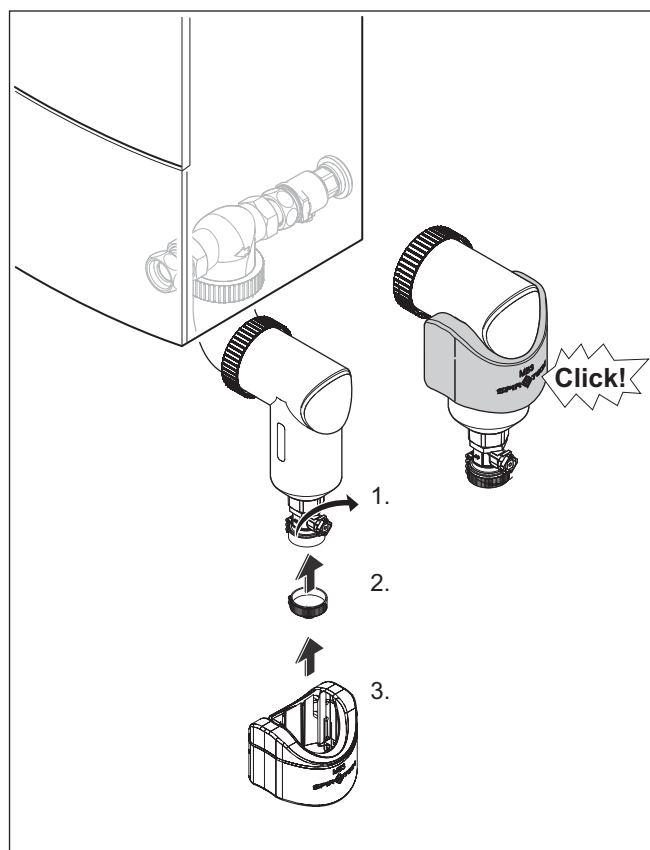
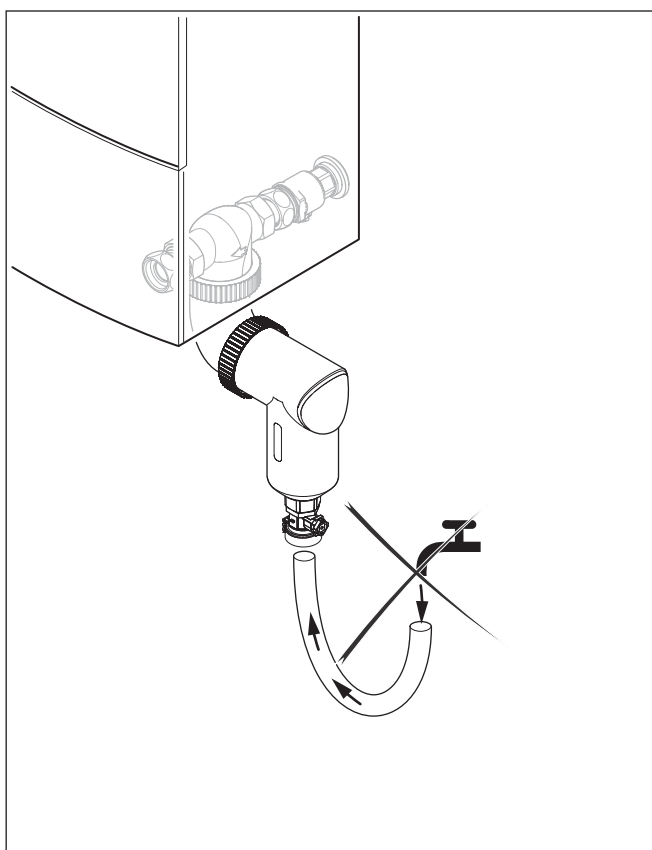
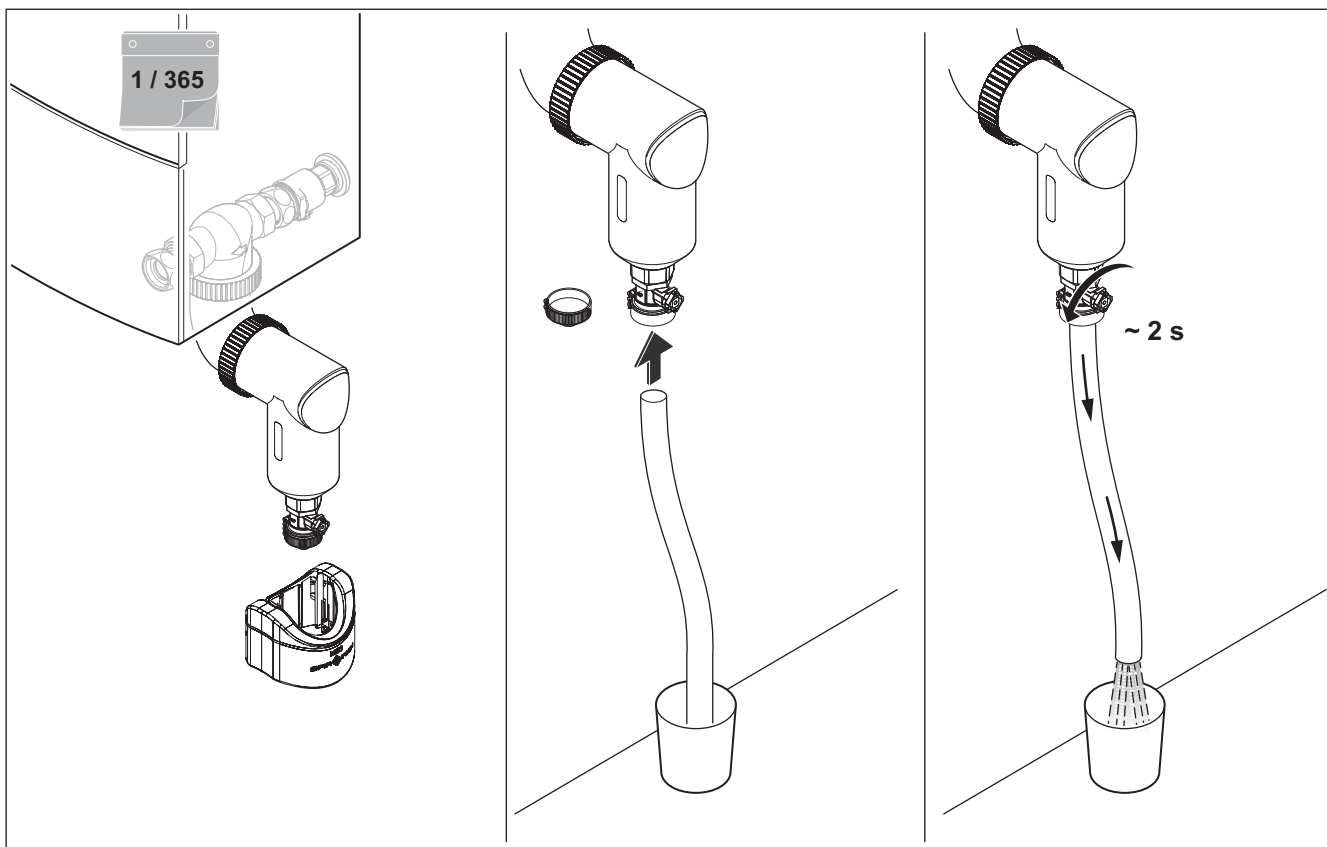


|                     |    |         |
|---------------------|----|---------|
| $T_{min} / T_{max}$ | °C | 0 / 180 |
| $H_2O$              | -  | -       |
|                     | -  | -       |









0020196285\_00 INT 072015 - Änderungen vorbehalten, Subject to change